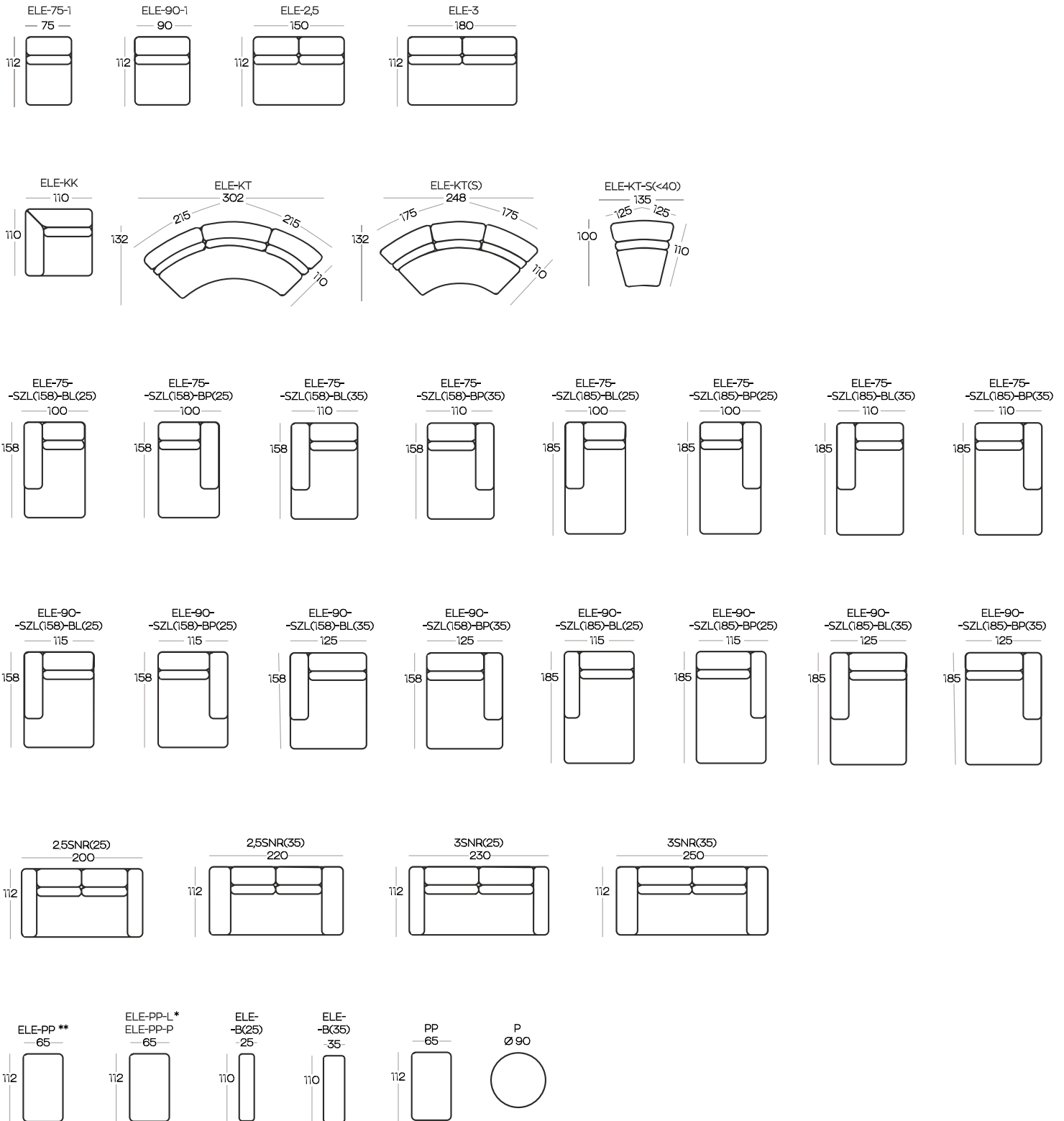


Arabella

Productsheet





Height of the elements: **95**

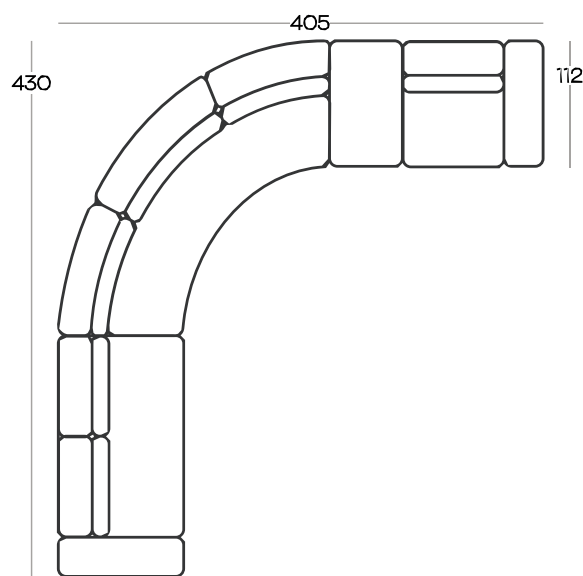
Height of the side panels: **56**

Height of the hockers: **46**

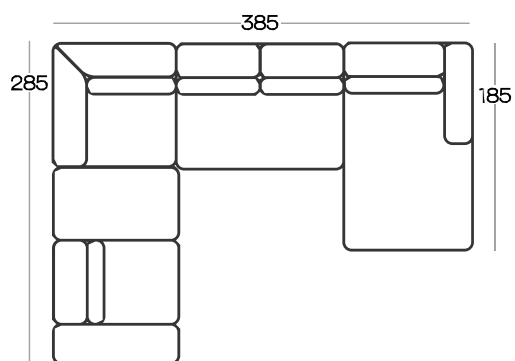
Accuracy of dimensions +/- 3 cm

Sample configurations

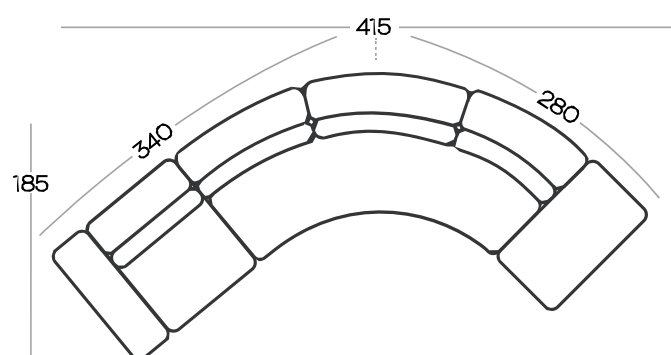
ELE-B(35) + ELE-3 + ELE-KT + ELE-PP +
+ ELE-90-1 + ELE-B(35)



ELE-B(35) + ELE-75-1 + ELE-PP + ELE-KK +
+ ELE-2,5 + ELE-90-SZL(185)-BP(35)



ELE-B(35) + ELE-90-1 + ELE-KT + ELE-PP



ELE-B(25) + ELE-2,5 + ELE-PP

